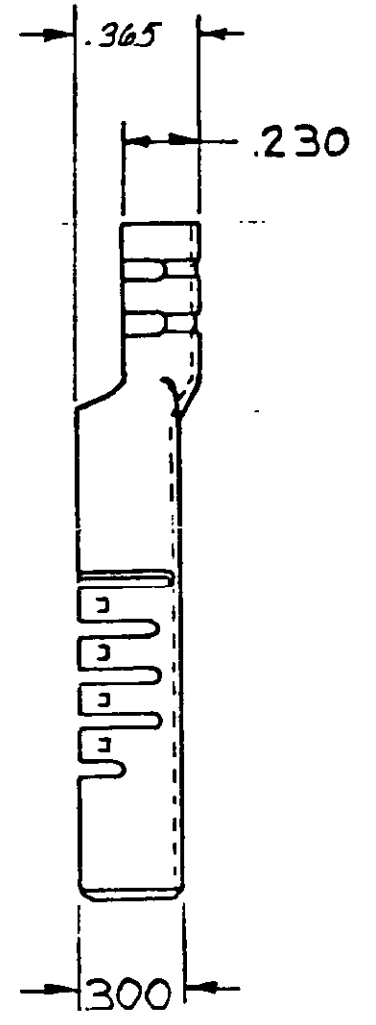
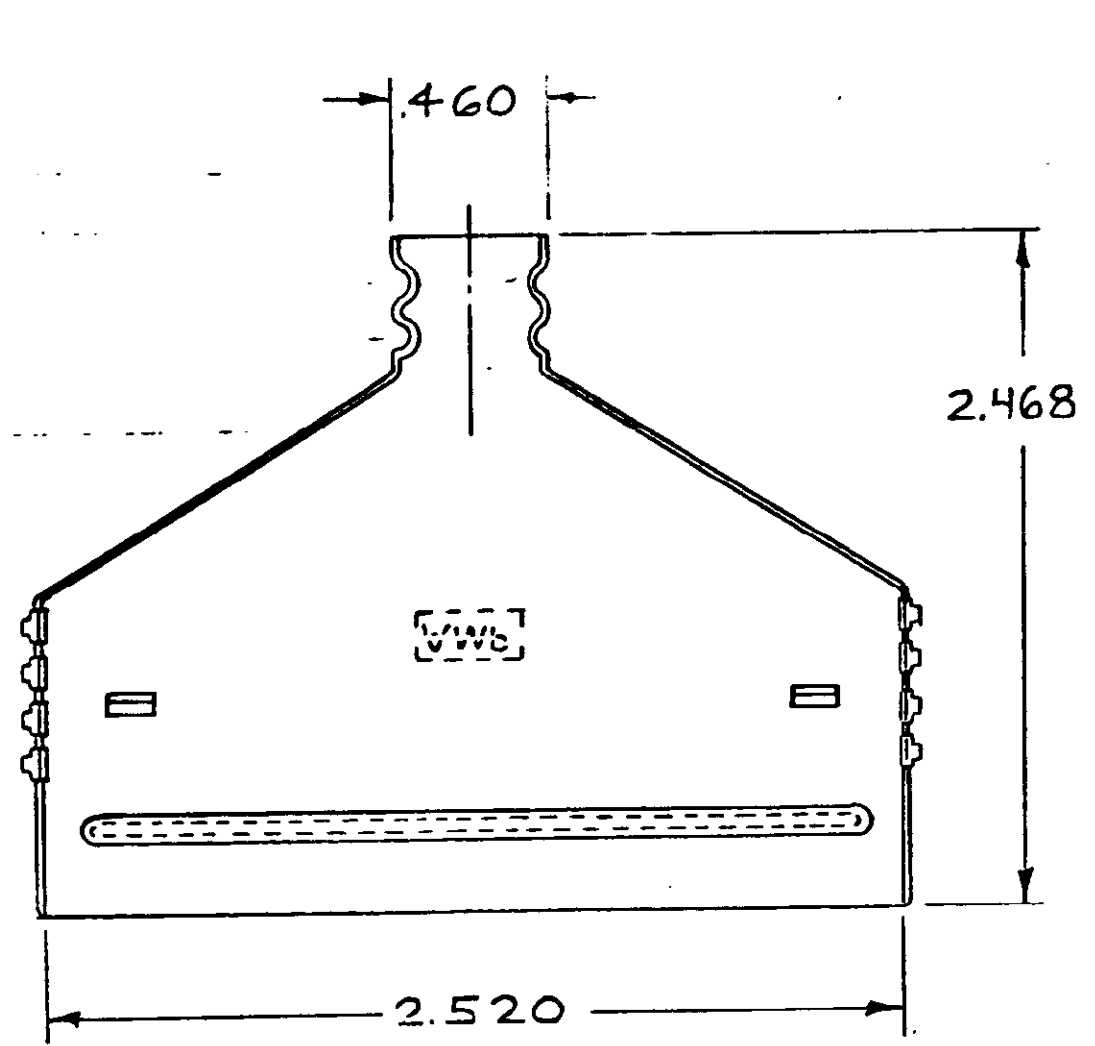


1 LOC AD DIST 39

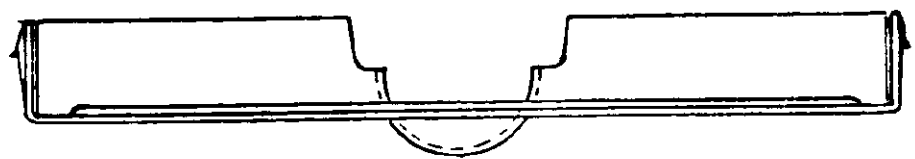
DRAWING MADE IN THIRD ANGLE PROJECTION

© COPYRIGHT 1983 BY AMP INCORPORATED, HARRISBURG, PA.  
 ALL INTERNATIONAL RIGHTS RESERVED. AMP INCORPORATED PRODUCTS  
 COVERED BY U. S. AND FOREIGN PATENTS AND/OR PATENTS PENDING.

REVISIONS						
P	F	ZONE	LTR	DESCRIPTION	DATE	APPROVED
✓			D	REDRAWN PER 0010-0226-96	3-96	ED/JH



103157-2 1. AS SHOWN



UNLESS OTHERWISE SPECIFIED DIMENSIONS ARE IN INCHES. TOLERANCES ON: DECIMALS ± .010 ANGLES ± 1°		CONTRACT NO		AMP INCORPORATED Harrisburg, Pa	
MATERIAL BRASS .020 THICK		DR: <i>CC Brandberg 3-25-96</i>		NAME SHELL, INNER, 180° CABLE EXIT AMP MODU MT, 50 POSITION SHIELDED CONNECTOR	
FINISH PRE-TIN .000030 MIN		CHK: <i>Ed Harrington 3-26-96</i>		SIZE <b>B</b>	CODE IDENT NO 00779
		APPRO: <i>Ed Harrington 3-26-96</i>		DRAWING NO 103157	
		DSGN APPD: /		SCALE NTS	SHEET 1 OF 2
		OTHER APPD		PART NO	